

# RAZE

## RZAG

ALUMINUM GANTRY



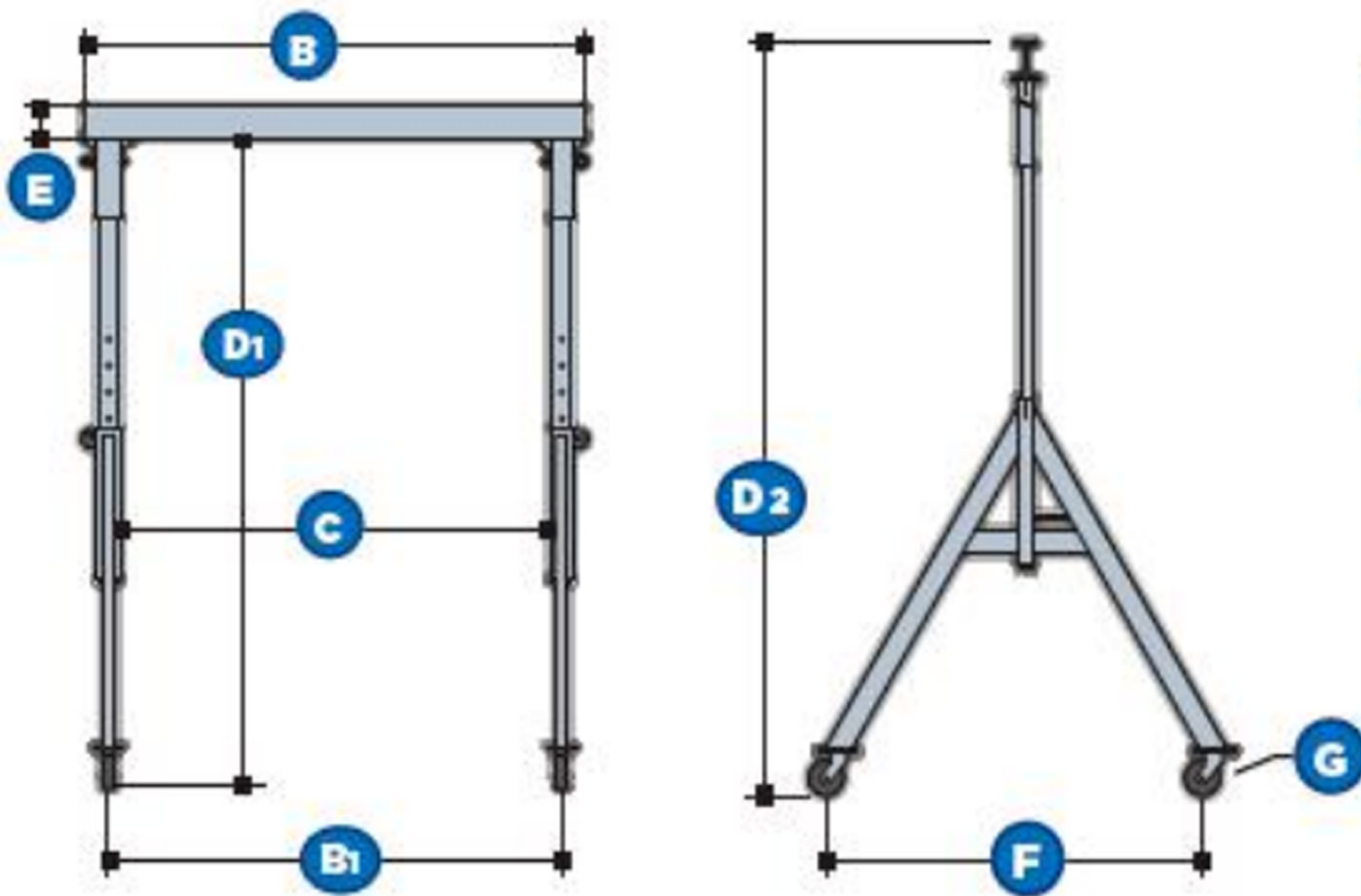
# RZAG

## ALUMINUM GANTRY

### Product Information

RAZE aluminum gantry cranes are a lightweight and portable lifting solution. The height of the crane is adjustable, enabling you to lower the crane to clear doorways and overhead objects. Once clear, you can then raise the height for maximum lift. It can easily be pushed aside to maximize floorspace or disassembled for relocation.

RAZE adjustable height gantries are available in ½ to 3 ton with an option to add a hoist and trolley.



Model	Capacity (Ton)	B Span (FT)	B1 (IN)	D1 (IN)	D2 (IN)	E (IN)	F (IN)	G (IN)	C (IN)	Flange Width (IN)	Shipping Weight
RZAG-1-10	1	10	107	112-151	118-157	6	54	6	102	3 ¼	287lbs
RZAG-2-10	2	10	107	112-151	118-157	7 ½	52	8	102	4	380lbs
RZAG-1-12	1	12	131	110-150	118-157	6	54	6	126	3 ¼	320lbs
RZAG-2-12	2	12	131	110-150	118-157	7 ½	52	8	126	4	412lbs