

RAZE

RZLB

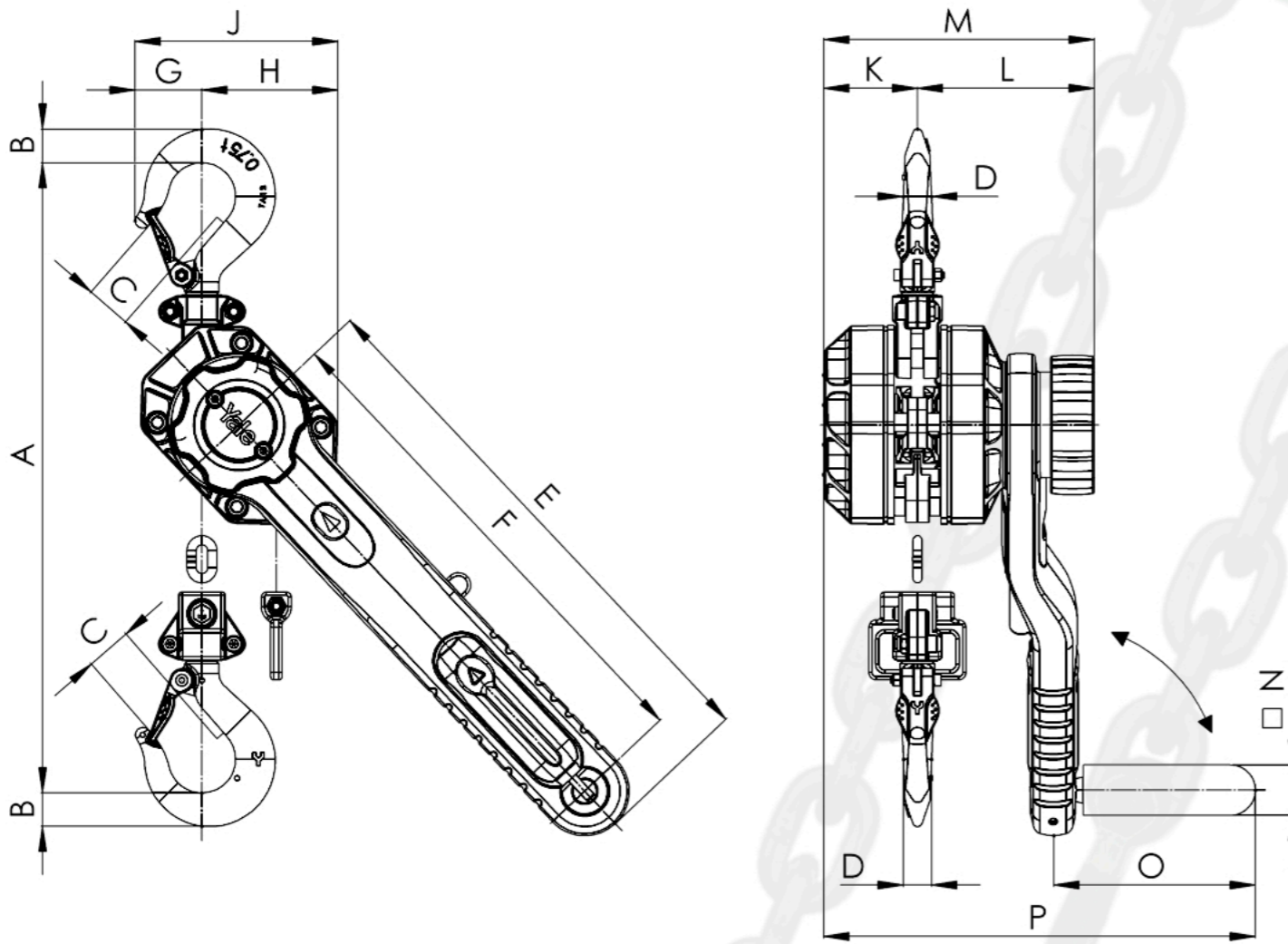
LEVER HOIST



RZLB LEVER HOIST

Product Introduction

Suitable for industrial and pulling applications. New design drop forged hooks with safer tip and slowly bending performance. Capacity range from 3/4 Ton to 9 Tons. Renowned for their quality and durability. The design of the lever means that minimal effort is required to operate the block which allows you to elevate, suspend and lower loads easily and safely. The freewheel capabilities of this hoist speeds up lifts allowing you to pull the chain to the point of tension, before having to crank the lever to operate. The Grade 80 case hardened alloy steel chain is the same used with the Manual Chain Hoist. The chain has an end stop placed upon it during installation as a fail safe device.



MODEL	CAPACITY (TON)	LIFT (FT)	CHAIN FALLS	LOAD CHAIN DIAMETER (MM)	DIMENSIONS (IN)						NET (LB) WEIGHT
					A	B	C	D	L	H	
RZLB-075-05	3/4	5	1	6	5.83	3.46	5.31	1.26	11.42	12.60	15.43
RZLB-075-10	3/4	10	1	6	5.83	3.46	5.31	1.26	11.42	12.60	15.43
RZLB-075-15	3/4	15	1	6	5.83	3.46	5.31	1.26	11.42	12.60	15.43
RZLB-075-20	3/4	20	1	6	5.83	3.46	5.31	1.26	11.42	12.60	15.43
RZLB-100-05	1	5	1	6	5.83	3.46	5.31	1.26	11.42	12.60	16.53
RZLB-100-10	1	10	1	6	5.83	3.46	5.31	1.26	11.42	12.60	16.53
RZLB-100-15	1	5	1	6	5.83	3.46	5.31	1.26	11.42	12.60	16.53
RZLB-100-20	1	20	1	6	5.83	3.46	5.31	1.26	11.42	12.60	16.53
RZLB-150-05	1.5	5	1	8	6.93	4.02	6.10	1.42	16.34	14.96	24.25
RZLB-150-10	1.5	10	1	8	6.93	4.02	6.10	1.42	16.34	14.96	24.25
RZLB-150-15	1.5	15	1	8	6.93	4.02	6.10	1.42	16.34	14.96	24.25
RZLB-150-20	1.5	20	1	8	6.93	4.02	6.10	1.42	16.34	14.96	24.25
RZLB-200-05	2	5	1	8	6.93	4.02	6.10	1.42	16.34	14.96	25.35
RZLB-200-10	2	10	1	8	6.93	4.02	6.10	1.42	16.34	14.96	25.35
RZLB-200-15	2	15	1	8	6.93	4.02	6.10	1.42	16.34	14.96	25.35
RZLB-200-20	2	20	1	8	6.93	4.02	6.10	1.42	16.34	14.96	25.35
RZLB-300-05	3	5	1	10	7.68	4.29	8.31	1.81	16.34	18.90	41.89
RZLB-300-10	3	10	1	10	7.68	4.29	8.31	1.81	16.34	18.90	41.89
RZLB-300-15	3	15	1	10	7.68	4.29	8.31	1.81	16.34	18.90	41.89
RZLB-300-20	3	20	1	10	7.68	4.29	8.31	1.81	16.34	18.90	41.89
RZLB-600-05	6	5	2	10	7.68	4.29	10.00	1.81	16.34	23.62	70.55
RZLB-600-10	6	10	2	10	7.68	4.29	10.00	1.81	16.34	23.62	70.55
RZLB-600-15	6	15	2	10	7.68	4.29	10.00	1.81	16.34	23.62	70.55
RZLB-600-20	6	20	2	10	7.68	4.29	10.00	1.81	16.34	23.62	70.55
RZLB-900-05	9	5	3	10	7.68	4.29	12.56	2.24	16.34	27.56	103.62
RZLB-900-10	9	10	3	10	7.68	4.29	12.56	2.24	16.34	27.56	103.62
RZLB-900-15	9	15	3	10	7.68	4.29	12.56	2.24	16.34	27.56	103.62
RZLB-900-20	9	20	3	10	7.68	4.29	12.56	2.24	16.34	27.56	103.62