

RAZE

RZMSP ELECTRIC HOIST



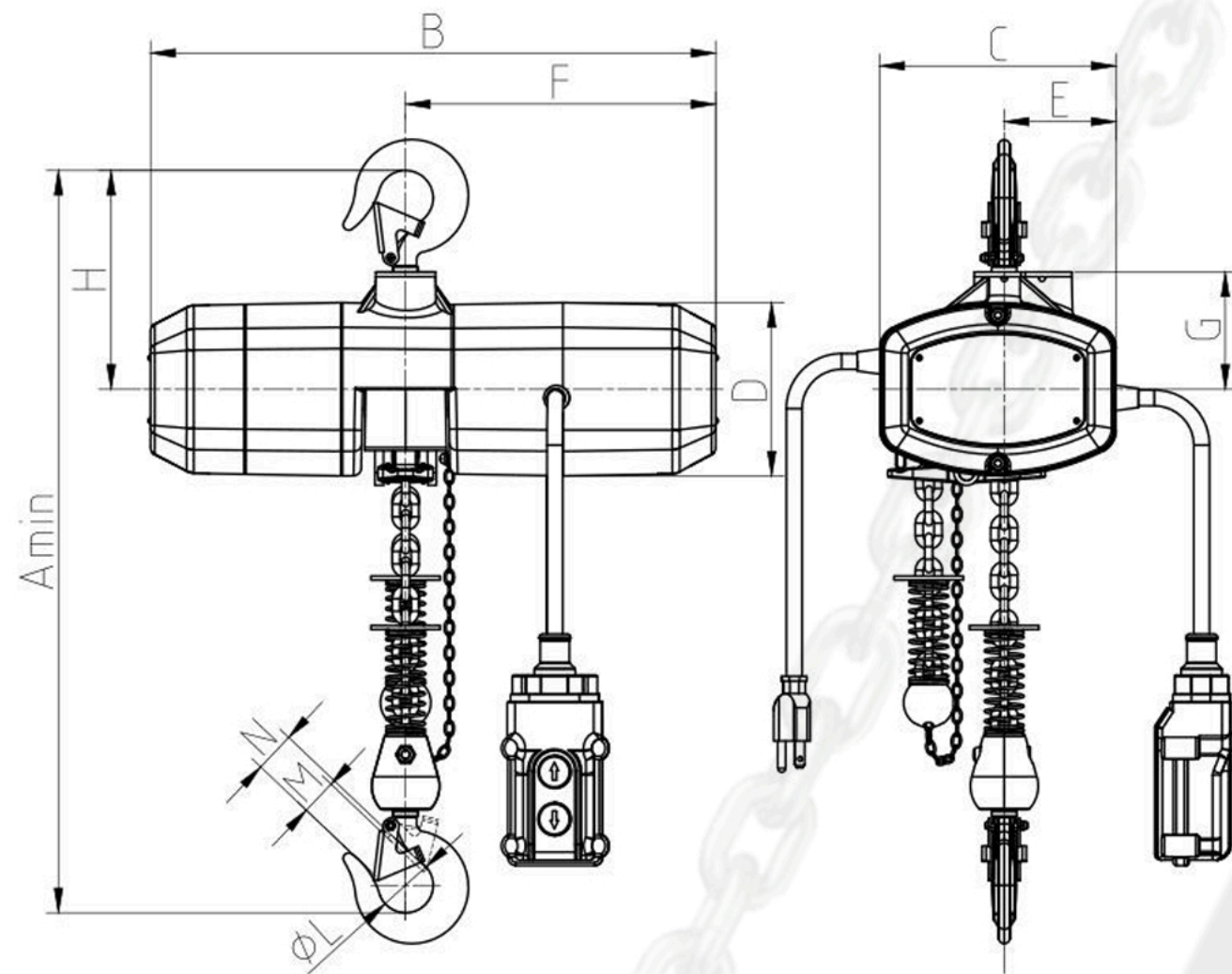
RZMSP

ELECTRIC HOIST

Product Introduction

Standard Features Include:

- Single Speed
- Lightweight aluminum alloy body with compact design
- Upper and lower limit switches for safe lifting and lowering
- Electro-magnetic disc brakes provide smooth breaking with little noise



MODEL	CAPACITY (LB)	LIFT (FT)	CHAIN FALLS	SPEED (FPM)	HP	WEIGHT (LBS)
RZMSP-10	800	10	2	7	1/5	32
RZMSP-15	800	15	2	7	1/5	36
RZMSP-20	800	20	2	7	1/5	40

MODEL	DIMENSIONS (IN)										
	A	B	C	D	E	F	G	H	L	M	N
RZMSP-10	16.73	14.06	5.91	4.25	2.8	7.87	2.95	5.71	1.46	0.98	1.1
RZMSP-15	16.73	14.06	5.91	4.25	2.8	7.87	2.95	5.71	1.46	0.98	1.1
RZMSP-20	16.73	14.06	5.91	4.25	2.8	7.87	2.95	5.71	1.46	0.98	1.1