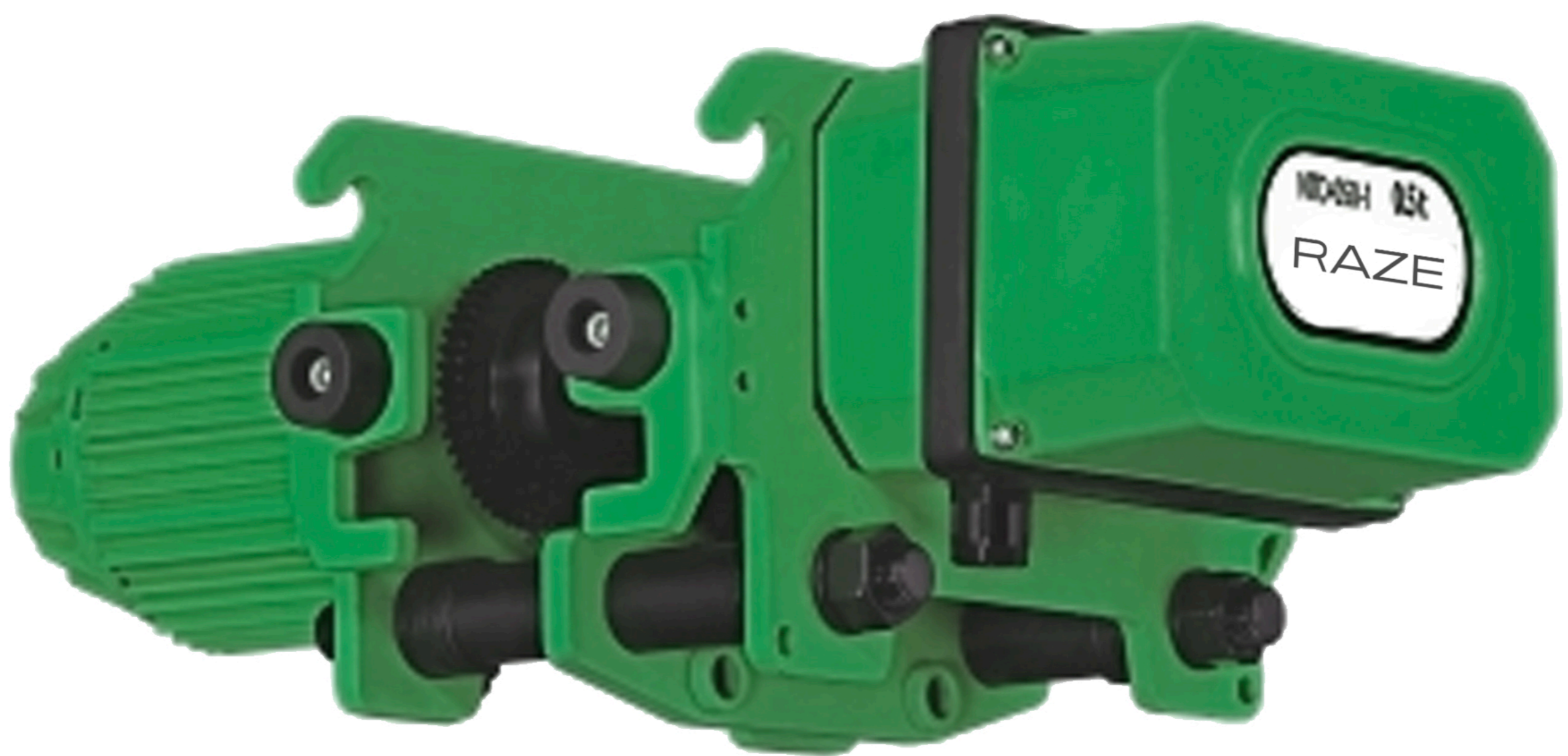


RAZE

RZMT

MOTORIZED TROLLEY

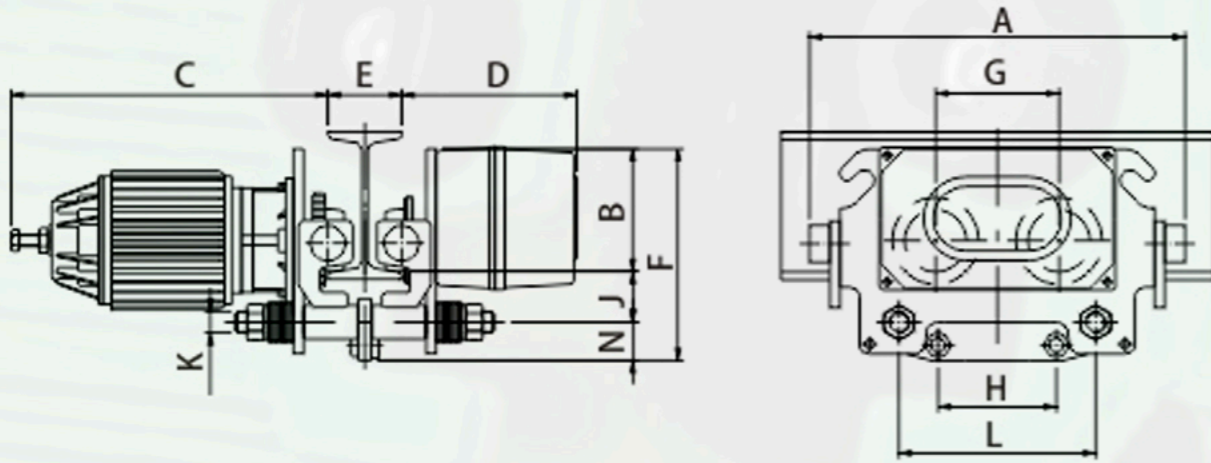
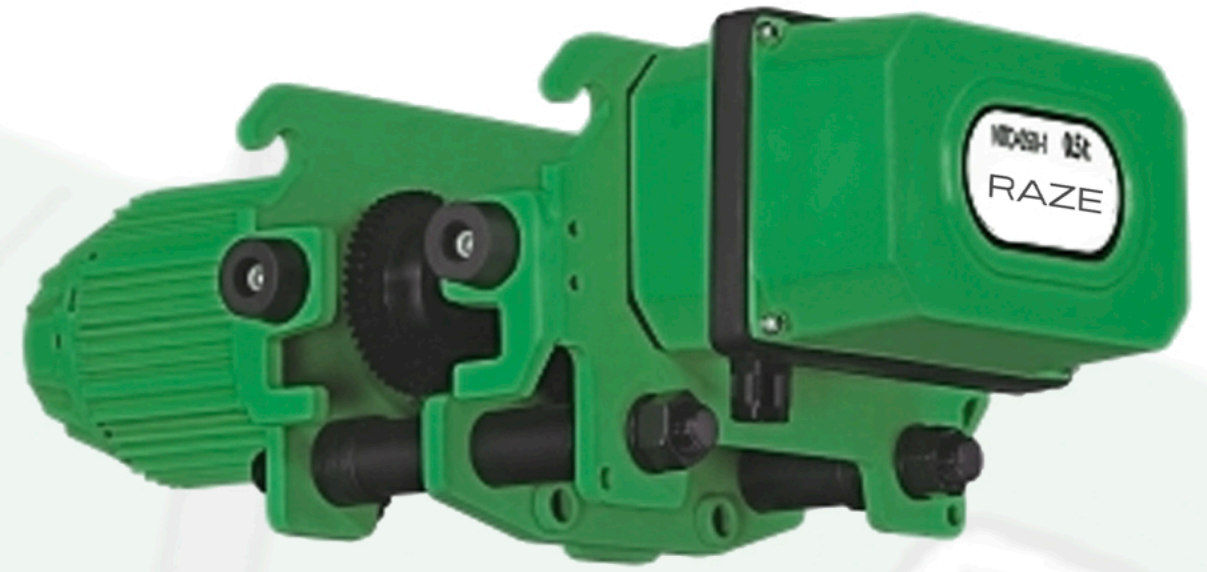


RZMT

MOTORIZED TROLLEY

Product Introduction

RAZE motorized trolleys are a great addition to your hoist, allowing the operator to traverse the load with the push of a button. Single speed operation at 80 FPM is standard in both 230v and 460v three phase. Dual speed and 115v single phase trolleys are also available.



MODEL	SPEED (M/MIN)		MOTOR KW X POLE	DIMENSIONS (IN)												N.W. KG	MIN RADIUS OF CURVE (MM)
	60HZ	50HZ		A	B	C	D	E	F	G	H	L	J	N	K		
RZMT-050-1	24	20	0.12 X 2P	385	125	325	180	75	217	126	95.5	200	52	41	7/8"~9UNC (Ø22.2)	45	1.3
RZMTD-050-1	24/6	20/5	0.12/0.03 X 2/8P					~125									
RZMT-100-1	24	20	0.18 X 2P	385	125	325	180	75	217	126	120	200	52	41	7/8"~9UNC (Ø22.2)	45	1.3
RZMTD-100-1	24/6	20/5	0.18/0.04 X 2/8P					~125									
RZMT-100-2	24	20	0.18 X 2P	385	125	325	180	75	217	126	95.5	200	52	41	7/8"~9UNC (Ø22.2)	45	1.3
RZMTD-100-2	24/6	20/5	0.18/0.04 X 2/8P					~125									
RZMT-200-1	24	20	0.37 X 2P	395	125	360	185	100	221	159	120	230	60	36	1"~8UNC (Ø25.4)	50	1.7
RZMTD-200-1	24/6	20/5	0.37/0.09 X 2/8P					~150									
RZMT-200-2	24	20	0.37 X 2P	395	125	360	185	100	221	159	52.5	230	60	36	1"~8UNC (Ø25.4)	50	1.7
RZMTD-200-2	24/6	20/5	0.37/0.09 X 2/8P					~150									
RZMT-300-2	24	20	0.6 X 2P	445	135	400	190	125	285	185	52.5	250	70	58	1 1/2"~6UNC (Ø38.1)	89	2.0
RZMTD-300-2	24/6	20/5	0.6/0.15 X 2/8P					~175									
RZMT-500-2	24	20	0.6 X 2P	445	135	400	190	125	285	185	52.5	250	70	58	1 1/2"~6UNC (Ø38.1)	89	2.0
RZMTD-500-2	24/6	20/5	0.6/0.15 X 2/8P					~175									